

## Metropol

### 3-hole basin mixer 160 with lever handles and push-open waste set

Surfaces: **Brushed Black Chrome** Article Number: **32515340**



#### Description

##### product features

- consists of: 3-hole basin mixer, waste set
- ComfortZone 160
- projection 152 mm
- maximum flow rate at 3 bar: 5 l/min
- ceramic valves hot/ cold 90°
- suitable for continuous flow water heaters
- push-open waste set G 1¼
- material waste set: metal
- connection type: G ¾ connections
- connection dimension: DN15

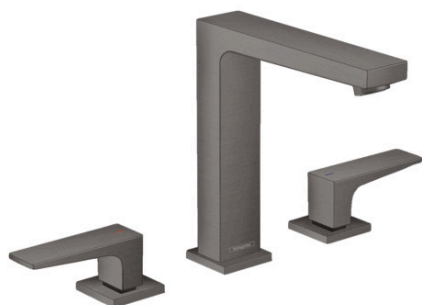
#### Technology



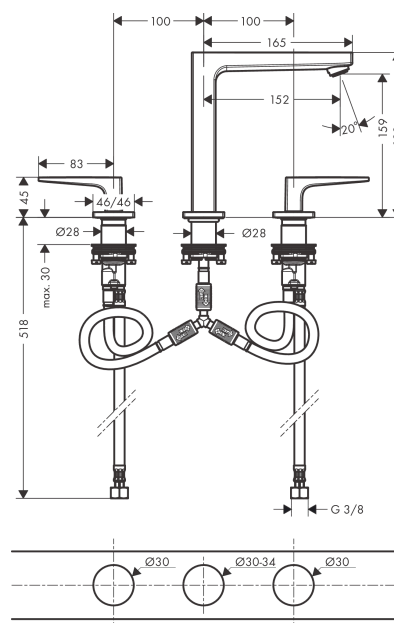
#### Design awards



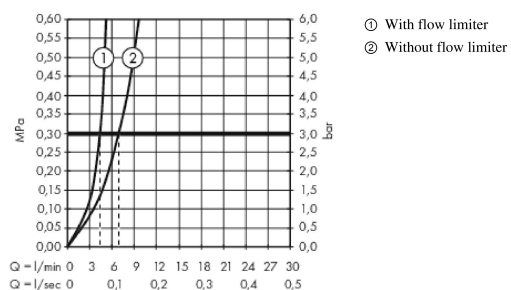
#### Product image



#### Scale drawing



#### Flowchart

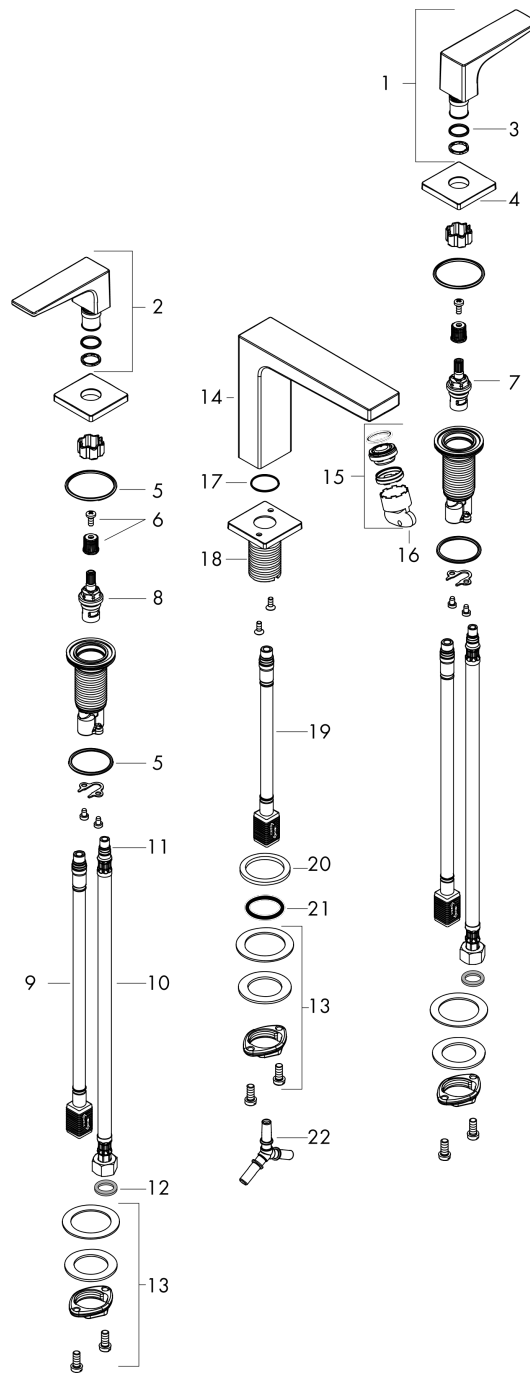


**Metropol**  
**3-hole basin mixer 160 with lever handles and push-open waste set**  
 Surfaces: **Brushed Black Chrome**    Article Number: **32515340**



## Exploded Drawing

Year of production: >11/19



## Metropol

**3-hole basin mixer 160 with lever handles and push-open waste set**

Surfaces: **Brushed Black Chrome** Article Number: **32515340**



### Spare part list

Year of production: >11/19

Pos.	Description	Article Number	Price	PU
1	handle for cold water	92917340	-	1
2	handle for hot water	92916340	-	1
3	O-Ring 14x1,5	98201000	-	1
4	escutcheon	92915340	-	1
5	O-ring 33x2,5	92907000	-	1
6	handle fixing set	98932000	-	1
7	shut off unit left closing	95366000	-	1
8	shut off unit right closing	98817000	-	1
9	connection hose 400 mm M10x1	92914000	-	1
10	connection hose 450 mm M8x0,75 G3/8	97206000	-	1
11	O-ring 7x1,5	98422000	-	1
12	sealing set	95581000	-	1
13	fixing set (Ø 28)	92909000	-	1
14	spout 160 mm	93158340	-	1
15	aerator M24x1 (5 l/min)	92996000	-	1
16	service tool	95661000	-	1
17	O-ring 21x1,5	98219000	-	1
18	escutcheon for spout	92906340	-	1
19	connection hose 200 mm M10x1	92913000	-	1
20	flat seal	98749000	-	1
21	O-ring 26x4	92191000	-	1
22	hose connection angel	92905000	-	1
a	push-open waste set	50100340	-	1